

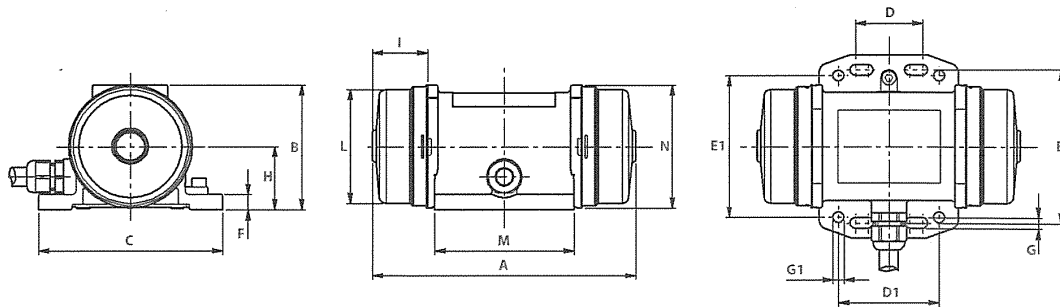
Micro vibrateurs



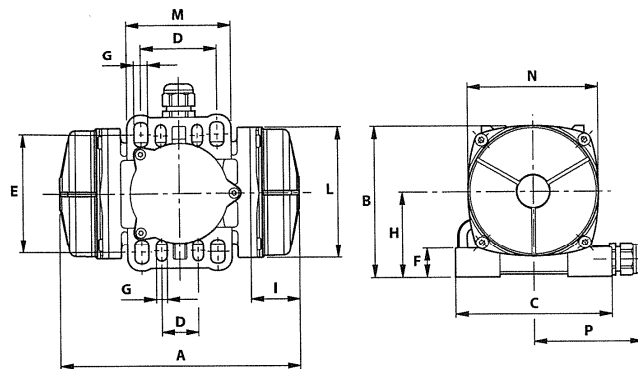
- Compacts et robustes
- Très légers - Petits
- Idéal pour l'utilisation dans les industries chimiques, agro-alimentaires et pharmaceutiques

Données techniques

| Modèle | Force centrifuge Kg | Tension | | Puissance W | Fréquence T/min | Ph | Hz | Poids Kg |
|---------|------------------------|---------|------|----------------|--------------------|----|----|-------------|
| | | V | A | | | | | |
| M 3/4 | 4 | 115 | 0.30 | 24 | 3000 | 1 | 50 | 0.92 |
| M 3/20 | 20 | 115 | 0.42 | 35 | 3000 | 1 | 50 | 1.97 |
| M 3/45 | 45 | 115 | 0.46 | 45 | 3000 | 1 | 50 | 2.20 |
| M 3/65 | 65 | 115 | 1.52 | 110 | 3000 | 1 | 50 | 4.30 |
| M 3/105 | 97 | 115 | 1.52 | 165 | 3000 | 1 | 50 | 5.20 |
| M 3/4 | 4 | 220 | 0.13 | 24 | 3000 | 1 | 50 | 0.92 |
| M 3/20 | 20 | 220 | 0.17 | 35 | 3000 | 1 | 50 | 1.97 |
| M 3/45 | 45 | 220 | 0.20 | 45 | 3000 | 1 | 50 | 2.20 |
| M 3/65 | 65 | 220 | 0.56 | 110 | 3000 | 1 | 50 | 4.30 |
| M 3/105 | 97 | 220 | 0.75 | 165 | 3000 | 1 | 50 | 5.20 |
| M 3/20 | 20 | 400 | 0.15 | 35 | 3000 | 3 | 50 | 1.97 |
| M 3/45 | 45 | 400 | 0.16 | 45 | 3000 | 3 | 50 | 2.20 |
| M 3/65 | 65 | 400 | 0.27 | 120 | 3000 | 3 | 50 | 4.30 |
| M 3/105 | 97 | 400 | 0.35 | 180 | 3000 | 3 | 50 | 5.20 |



| Type | A | B | C | D | D1 | E | E1 | F | G | Ø G1 | N° | H | I | L | M | N |
|--------|-----|------|-----|-------|----|----|----|---|-----|------|----|----|------|----|----|----|
| M 3/4 | 113 | 66.5 | 90 | 25-40 | - | 75 | - | 9 | 5.5 | - | 4 | 34 | 25 | 60 | 59 | 65 |
| M 3/20 | 157 | 75 | 110 | 25-40 | 60 | 92 | 85 | 9 | 6.5 | 6.5 | 8 | 38 | 33 | 69 | 83 | 74 |
| M 3/45 | 172 | 75 | 110 | 25-40 | 60 | 92 | 85 | 9 | 6.5 | 6.5 | 8 | 38 | 40.5 | 69 | 83 | 74 |



| Type | A | B | C | D | E | Ø G | N° | F | H | I | Ø L | M | N | P |
|---------|-----|-----|-----|----------------|------------------|-----|----|----|----|----|-----|----|-----|------|
| M 3/65 | 197 | 123 | 127 | 30-60 65-62 | 85-100 85-106 | 9 | 4 | 24 | 70 | 40 | 106 | 86 | 106 | 88.5 |
| M 3/105 | 211 | 123 | 127 | 30-60 65-62 | 85-100 85-106 | 9 | 4 | 24 | 70 | 47 | 106 | 86 | 106 | 88.5 |